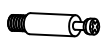
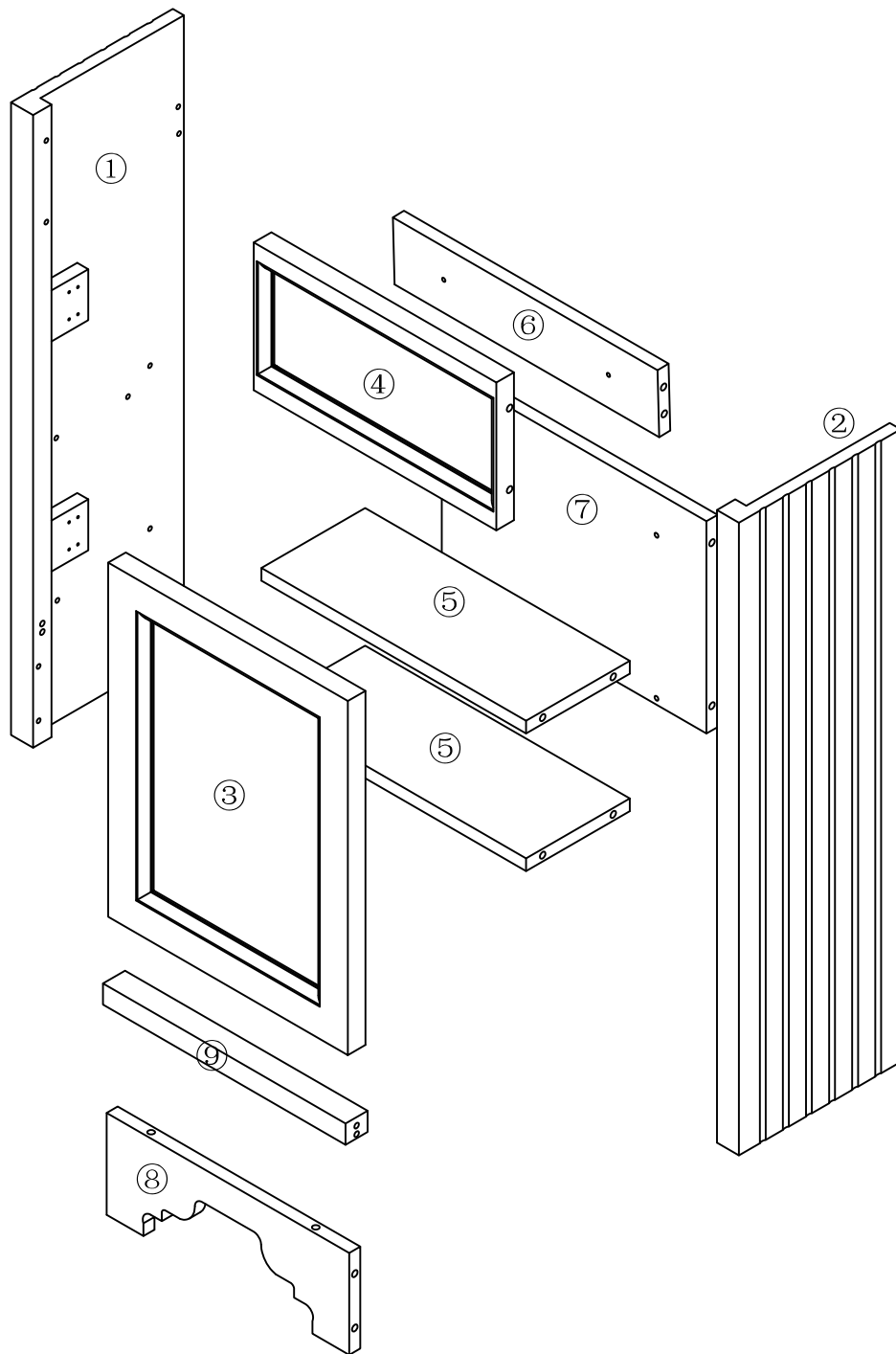


# Parts included:



A × 30



B × 30



C × 4



D × 4



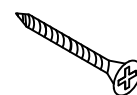
E × 2



F (4 × 14) × 12

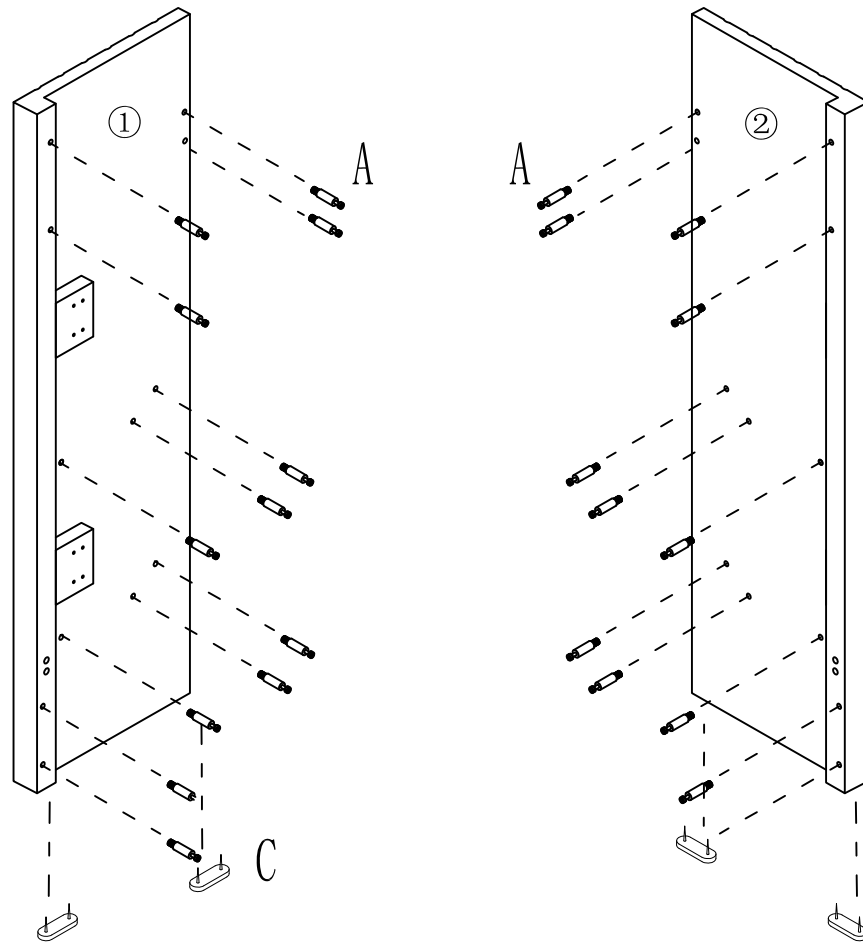


G × 2



H (4 × 40) × 2

# Step 1

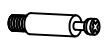
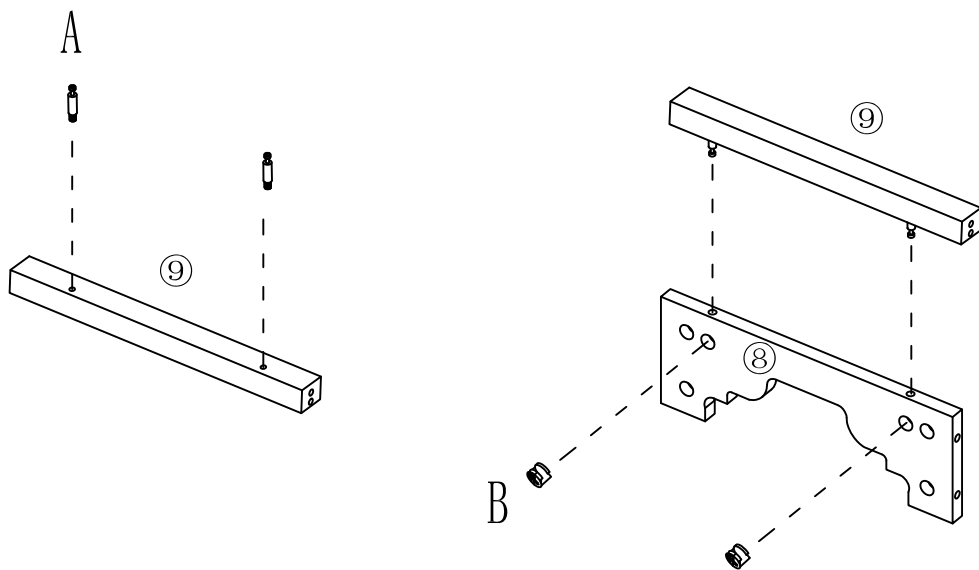


A×24



C×4

# Step 2

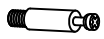
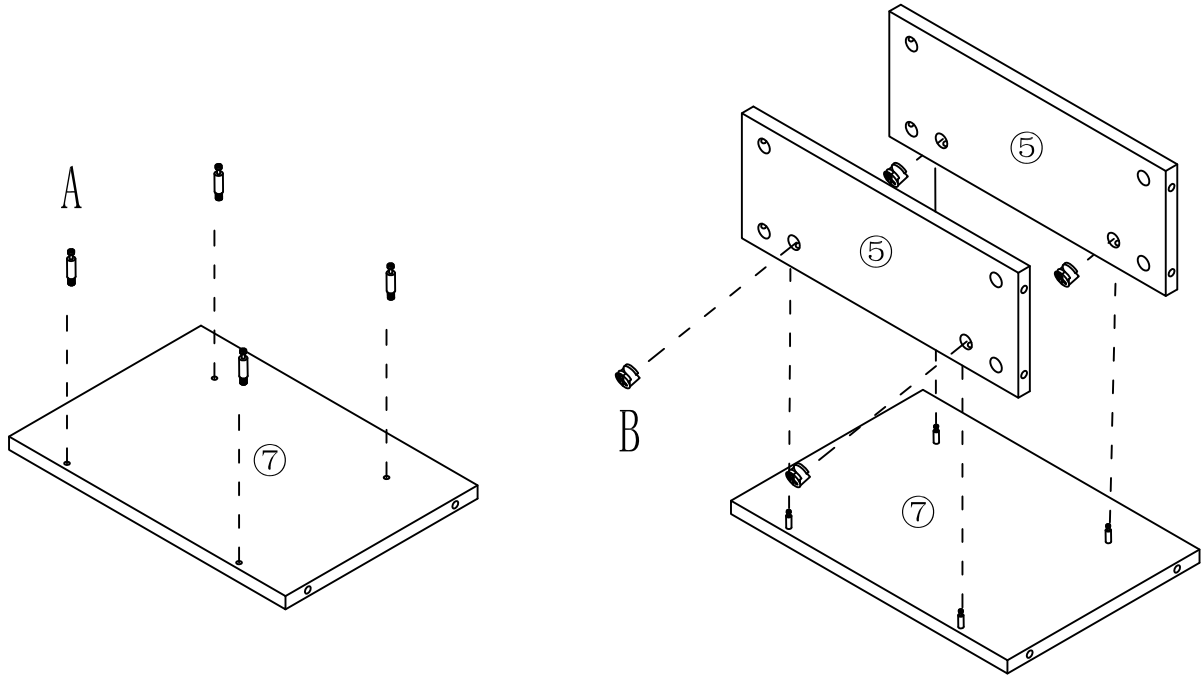


A×2



B×2

# Step 3

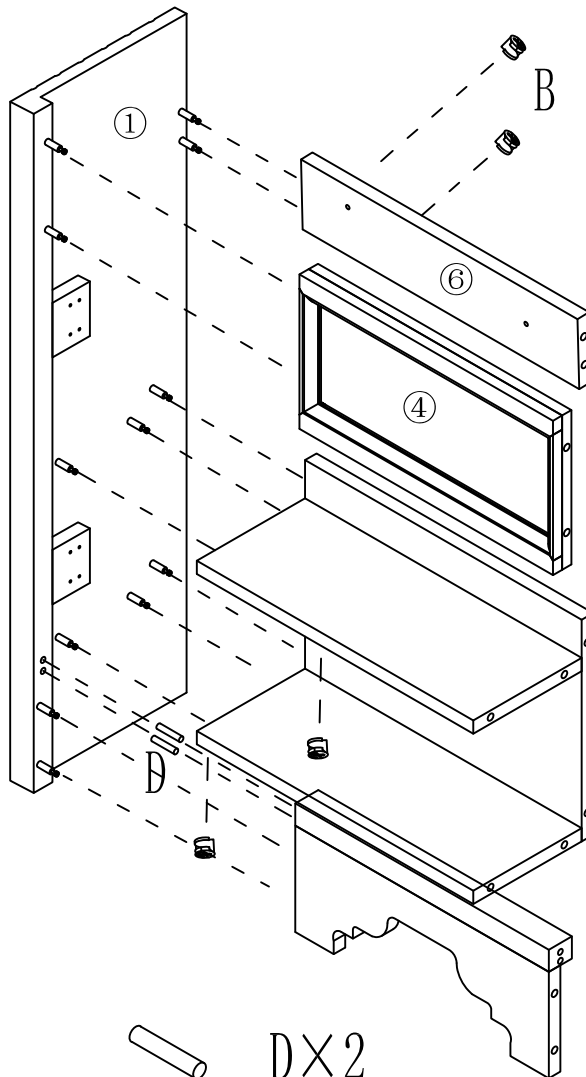


A×4



B×4

# Step 4

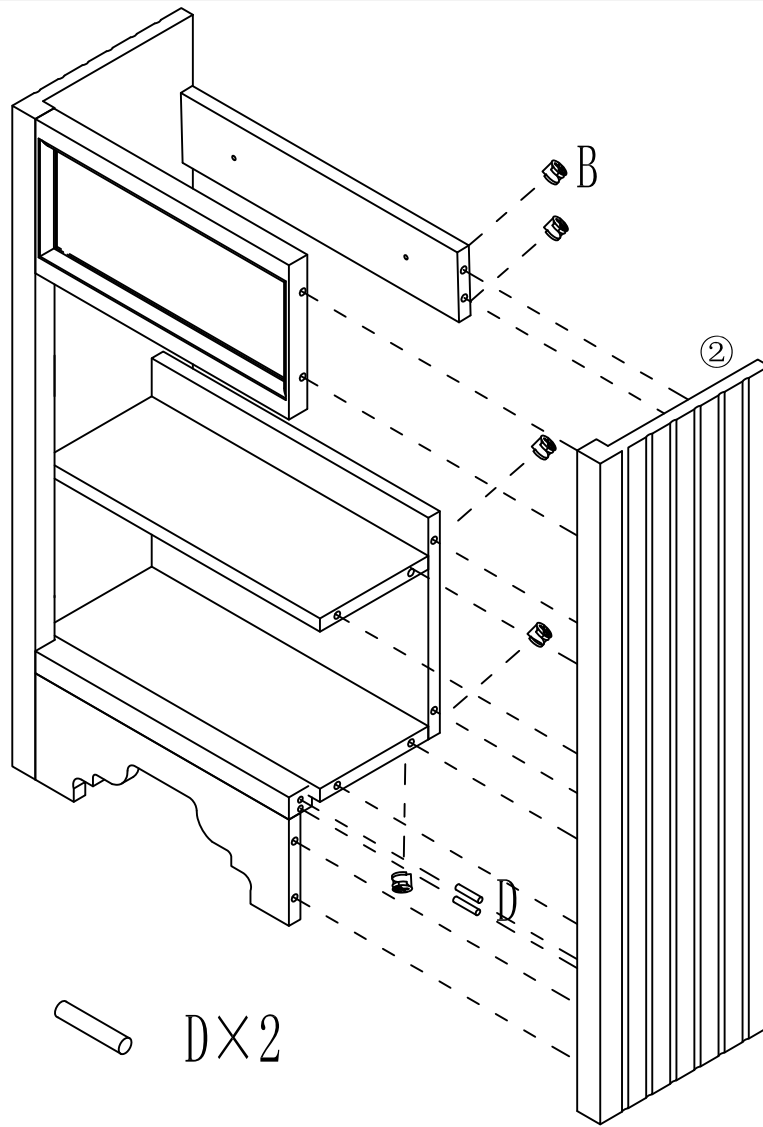


B×12



D×2

# Step 5

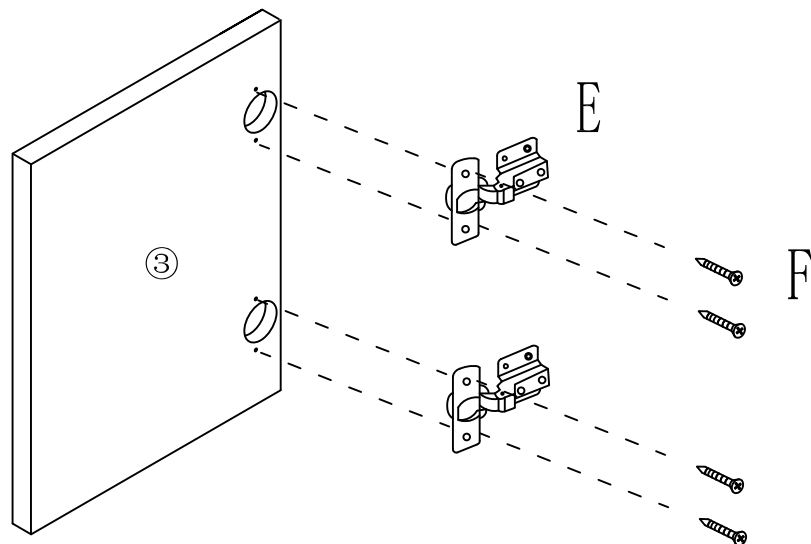


B×12



D×2

# Step 6

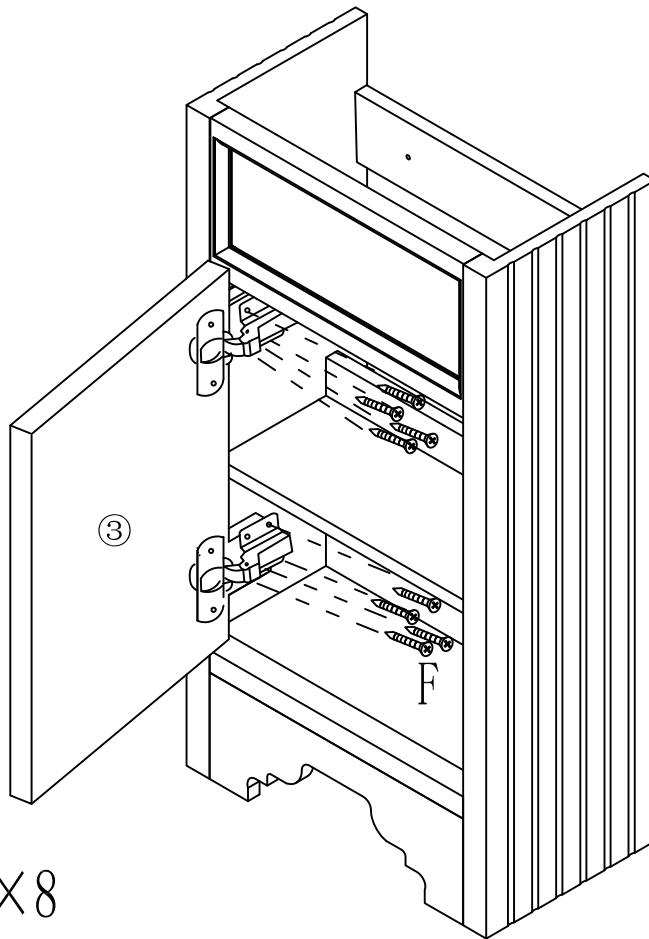


E×2



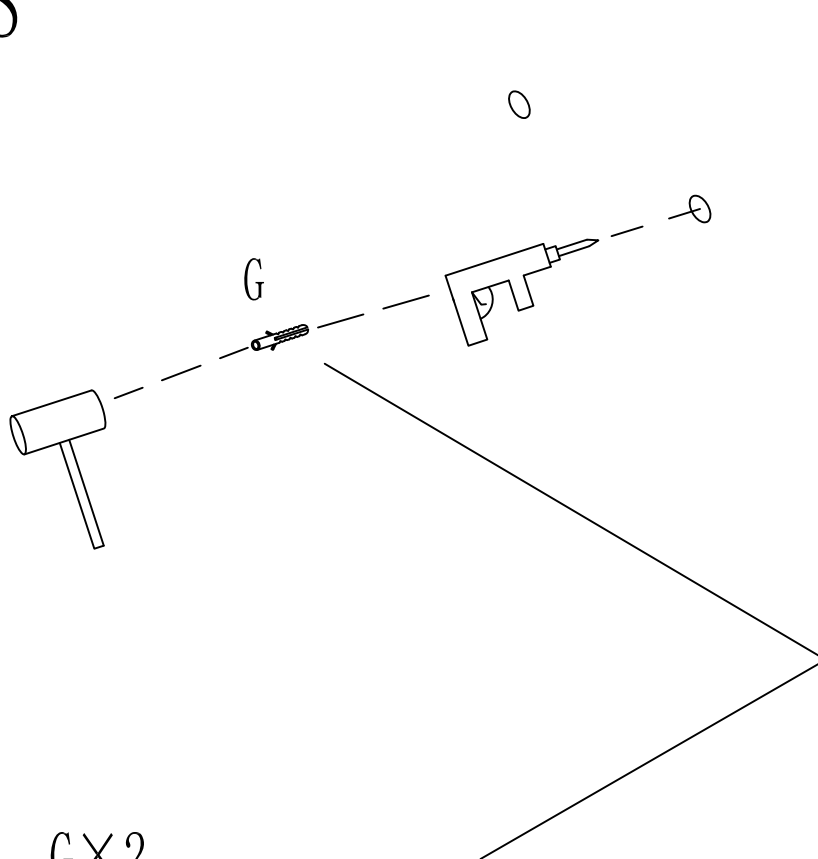
F(4×14)×4

# Step 7



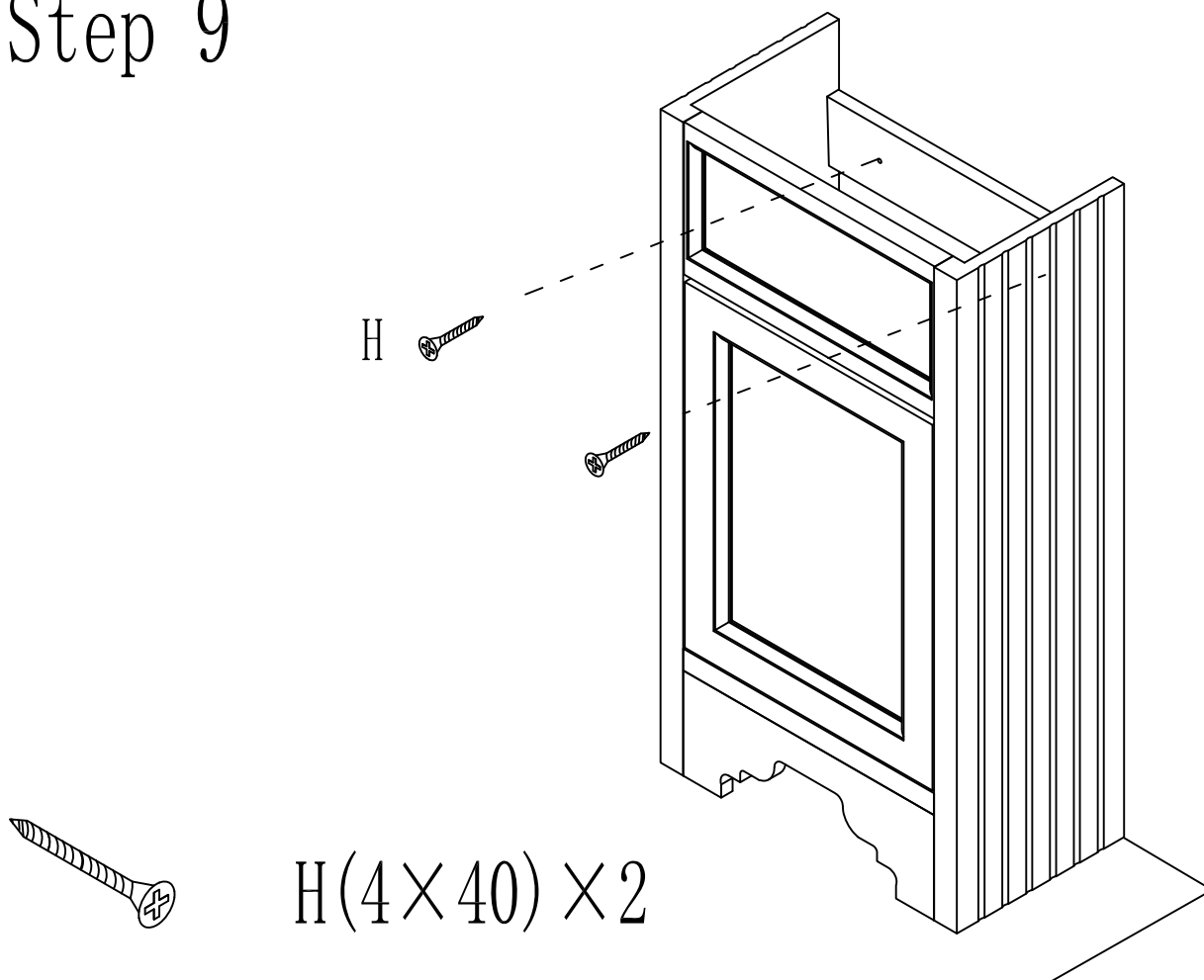
F(4×14)×8

# Step 8



G×2

# Step 9



# Step 10

