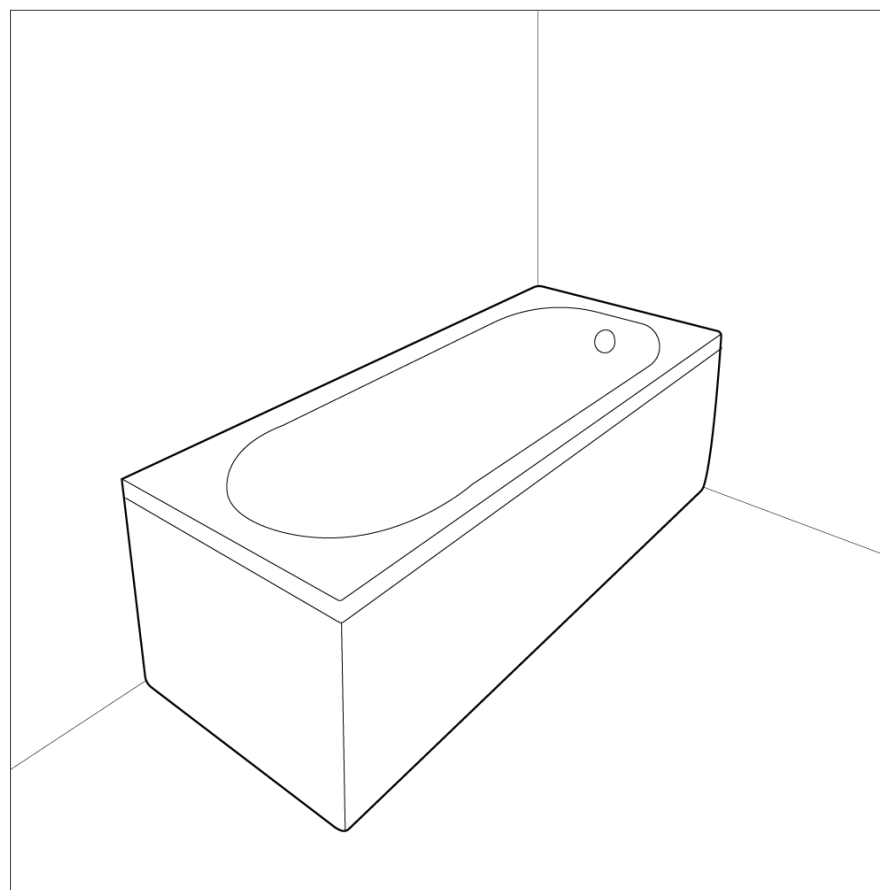


Hudson Reed



| TYPE | AFWERKING | MATERIAAL | HOOGTE (CM) | BREEDTE (CM) | LENGTE (CM) | VOLUME (LTR) | GEWICHT KG | INCLUSIEF AFVOERPLUG |
|--------------|-----------|-----------|-------------|--------------|-------------|--------------|------------|----------------------|
| Rechte baden | Wit | Acryl | 55 | 70 | 150 | 170 | 16 | Nee |
| Rechte baden | Wit | Acryl | 55 | 70 | 160 | 185 | 17 | Nee |
| Rechte baden | Wit | Acryl | 55 | 70 | 170 | 180 | 18 | Nee |
| Rechte baden | Wit | Acryl | 55 | 75 | 170 | 220 | 19 | Nee |
| Rechte baden | Wit | Acryl | 55 | 80 | 180 | 260 | 22 | Nee |